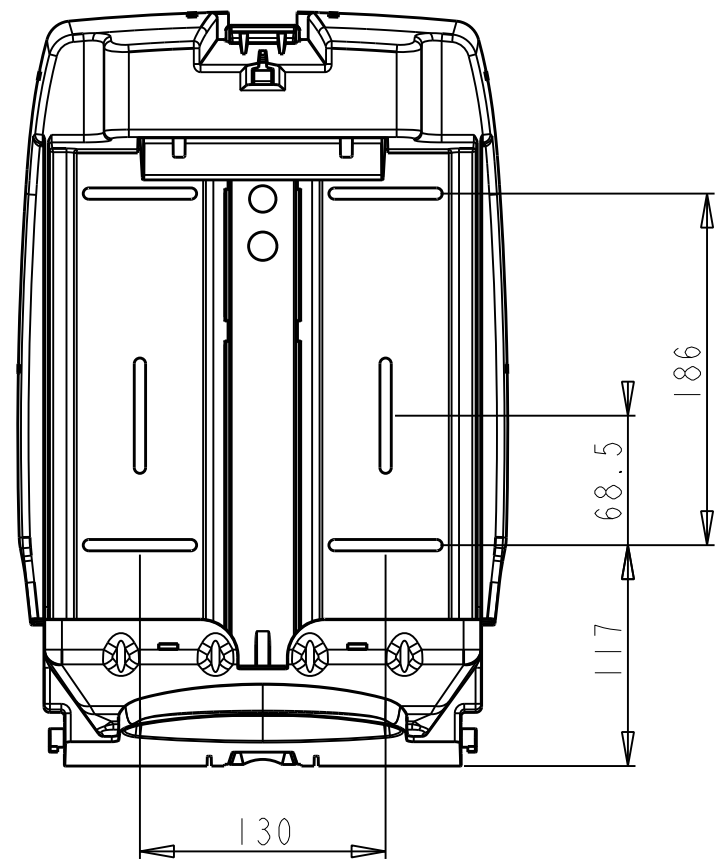
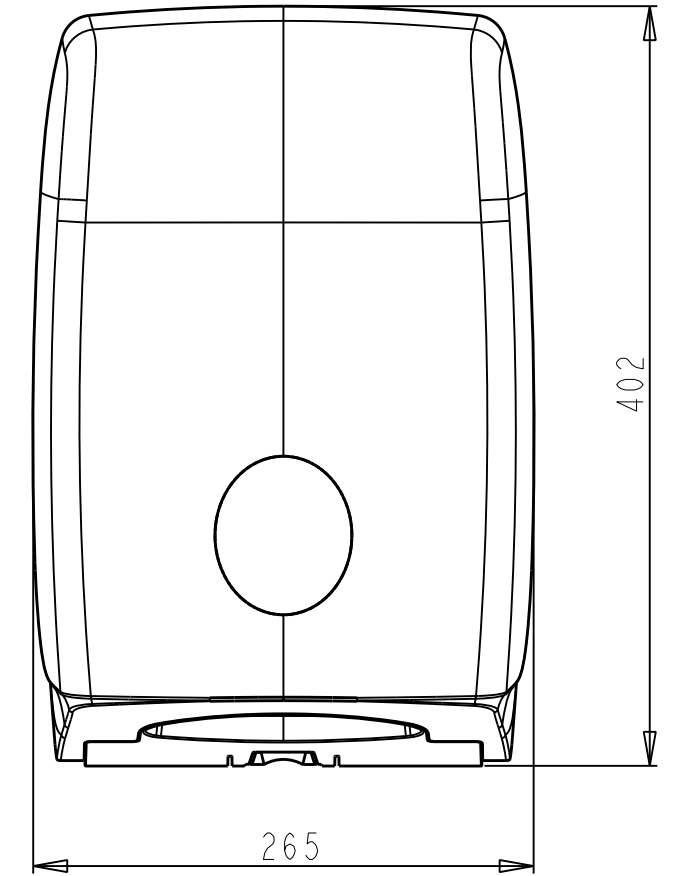
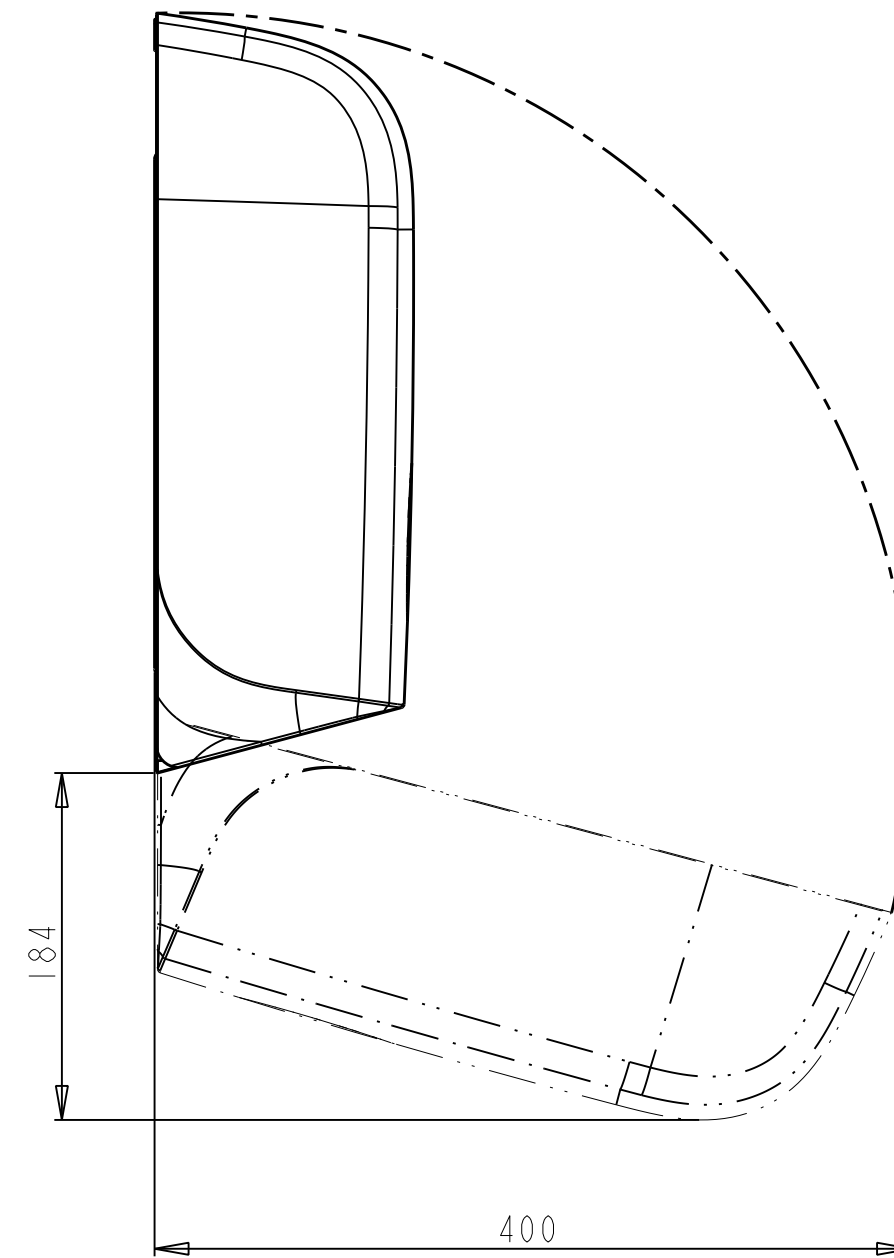


SCALE 1:5



Drill pattern



Dimensions in mm