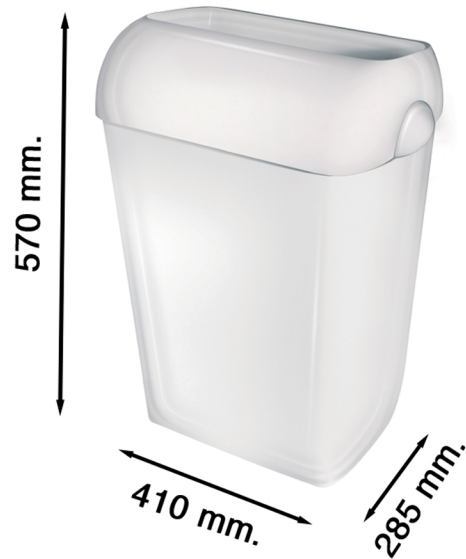


Technical sheet

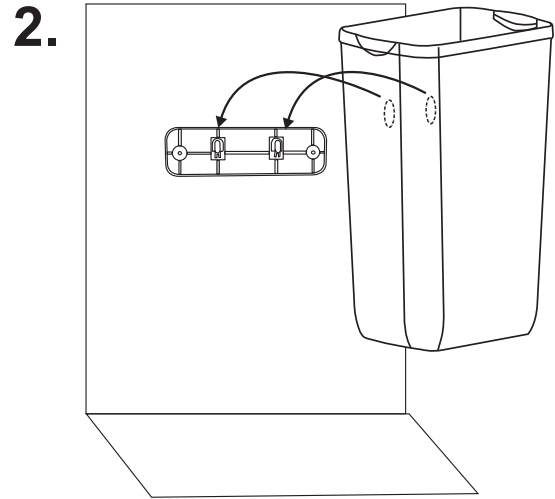
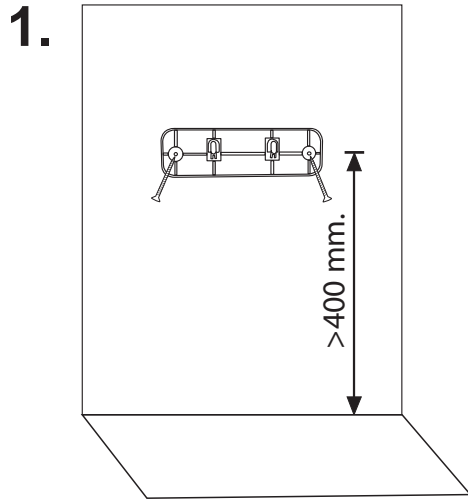
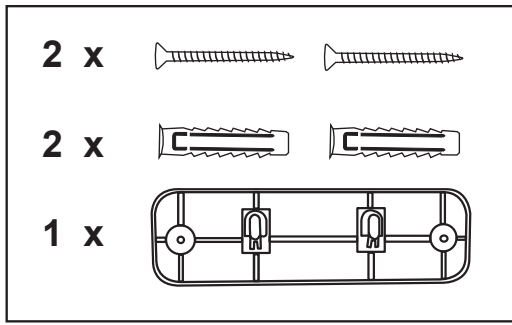


Product code	6993
Product line	LINEA PRESTIGE
Description	Waste paper bin with wall support and “hidden” lid
Package	2 pcs. Carton – quantity per pallet: 24 pcs
Application	Wall mounted (with 'Fischer' anchors included) or floor standing
Colors	White
Weight & dimensions	mm. 570 (H) x 285 (D) x 410 (W)
Features	43lt. Capacity
Materials	bin: PP support: Eraclene lid: ABS



Kimberly-Clark

6993



Kimberly-Clark

6993

