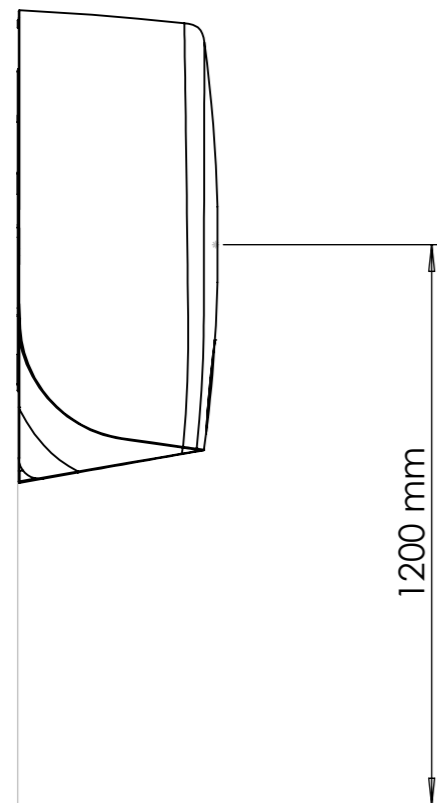


drill pattern



distance dispensing aperture to ground

dimensions in mm